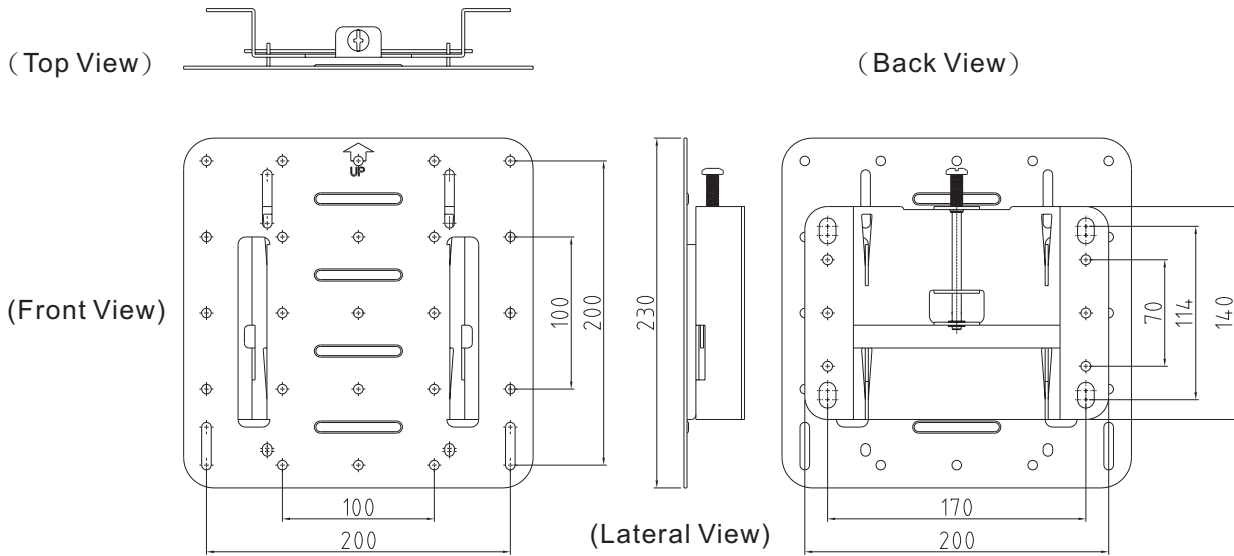


Specification HT-A06

1 Product Spec

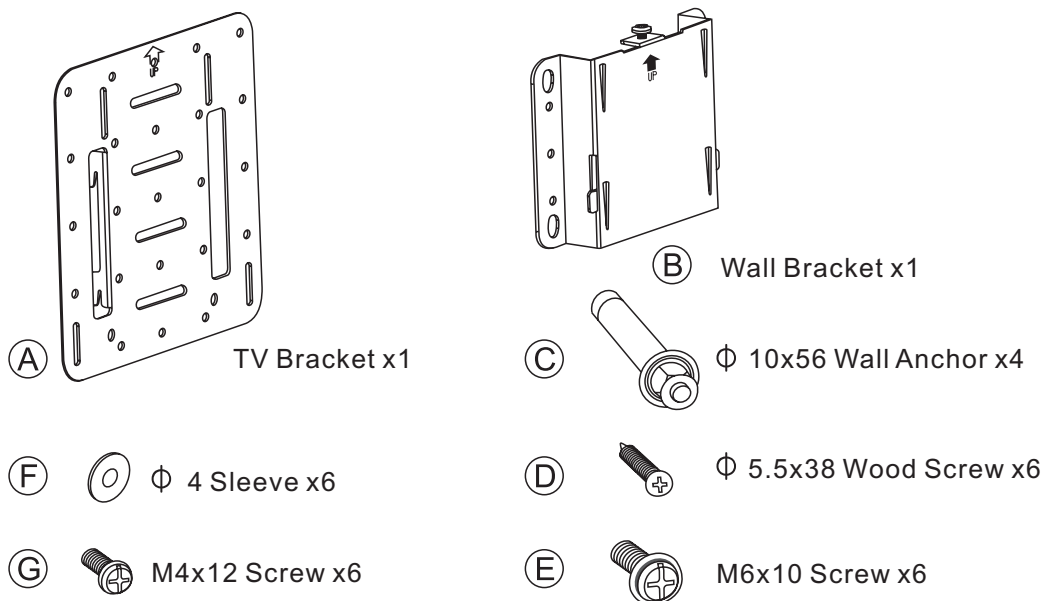
- Max. Load:80kg
- Net Weight:1.7kg

UNIT : mm



2 Parts Name

- Please check out all parts.



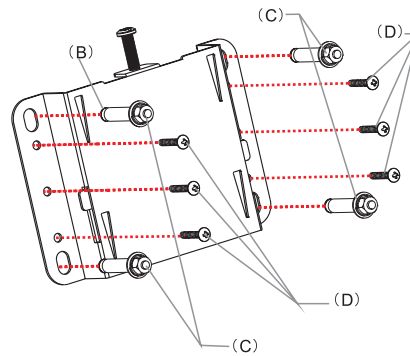
Registered design and patent pending. All rights reserved

Installation

HT-A06

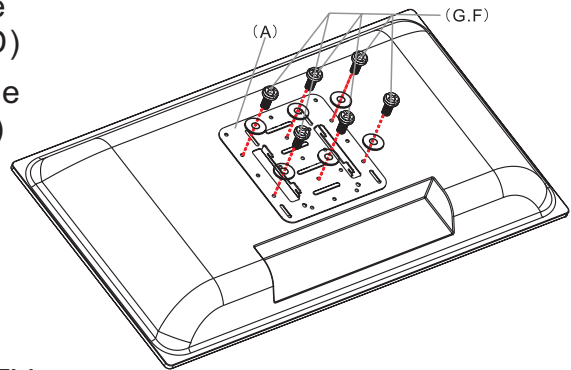
1 Step 1

- The wall must be at least 5cm thick.
- For a wooden wall, please choose wood screws 6pcs $\phi 5.5 \times 38 \text{mm}$ (D)
- For a concrete wall, please choose wall anchors 4pcs $\phi 10 \times 56 \text{mm}$ (C)



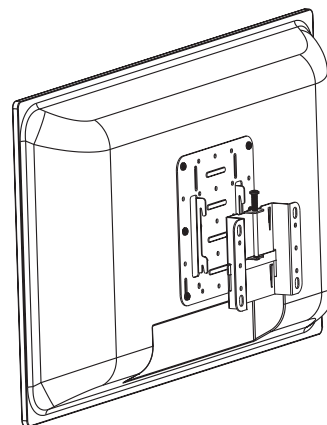
2 Step 2

- At the time of installation, make sure that 2 people hold the LCD TV.
- Make sure the LCD TV is turn off before installing.
- Use 6 pcs M4x12 (G) screws and 6 pcs $\phi 4$ (F) sleeve to assemble the TV bracket to the LCD TV.



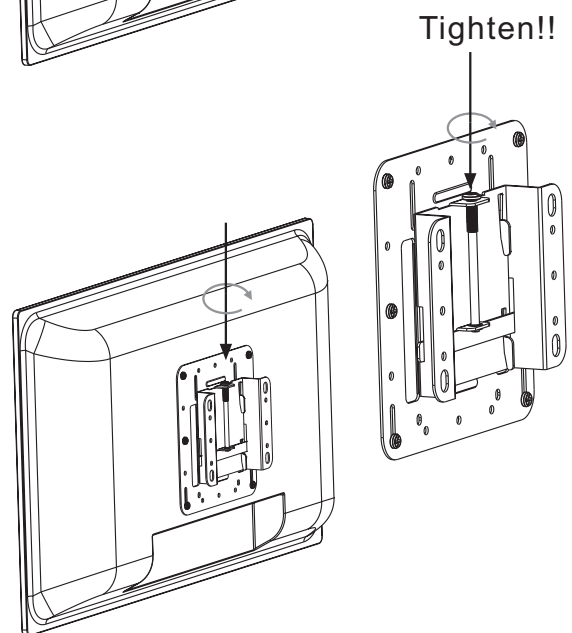
3 Step 3

- Make sure the two brackets are locked and secure.



4 Step 4

- Tighten the fixed screw to lock the TV in place.



Registered design and patent pending. All rights reserved