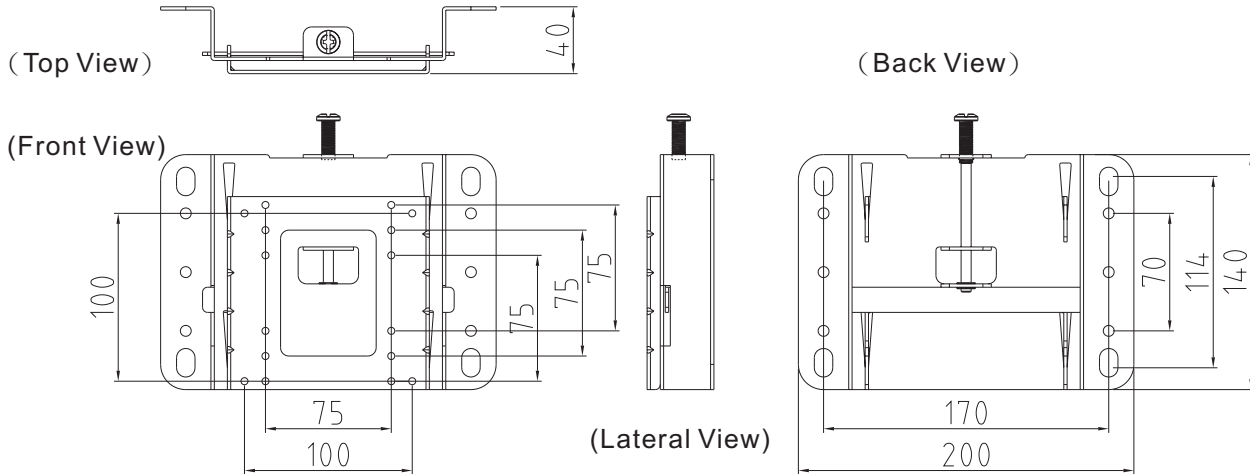


Specification HT-A05

1 Product Spec

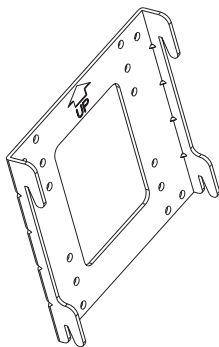
- Max. Load:40kg
- Net Weight:1.4kg

UNIT : mm

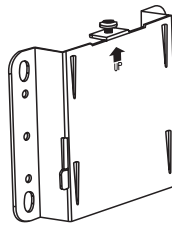


2 Parts Name

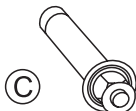
- Please check out all parts.



(A) TV Bracket x1



(B) Wall Bracket x1



(C) Wall Anchor 5/16 x4 & 1/4x4



(D) Φ 4x20 Wood Screw x4



(E) Φ 4 Plastic Sleeve x6



(F) M4x15 Screw x4



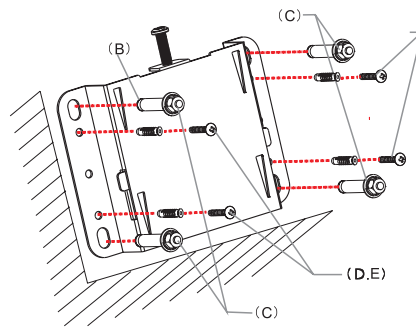
Registered design and patent pending. All rights reserved

Installation

HT-A05

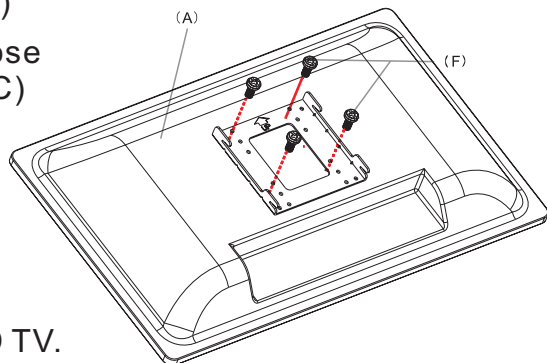
1 Step 1

- The wall must be at least 5cm thick.
- For a wooden wall, please choose wood screws 6pcs $\phi 5 \times 38 \text{mm}$ (D)
- For a concrete wall, please choose wall anchors 4pcs $\phi 10 \times 56 \text{mm}$ (C)



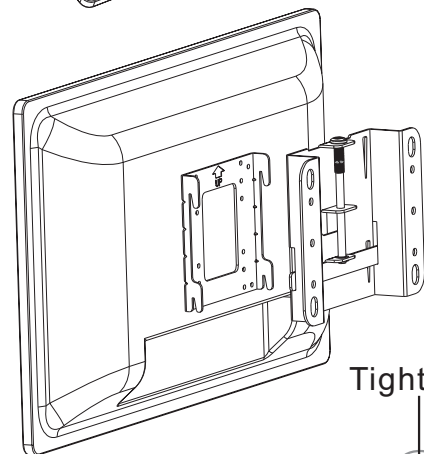
2 Step 2

- At the time of installation, make sure that 2 people hold the LCD TV.
- Make sure the LCD TV is turn off before installing.
- Use 4 pcs M4x12 (F) screws to assemble the TV bracket to the LCD TV.



3 Step 3

- Make sure the two brackets are locked and secure.



4 Step 4

- Tighten the fixed screw to lock the TV in place.

