

Specification HT-A04

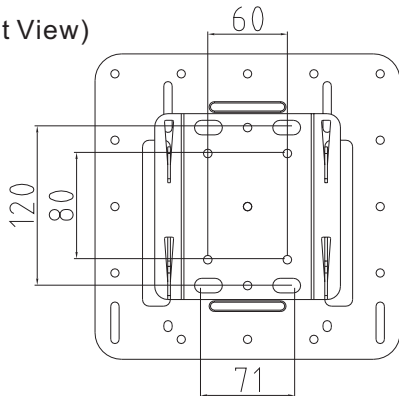
1 Product Spec

- Max. Load:40kg
- Net Weight:1.5kg

(Top View)



(Front View)

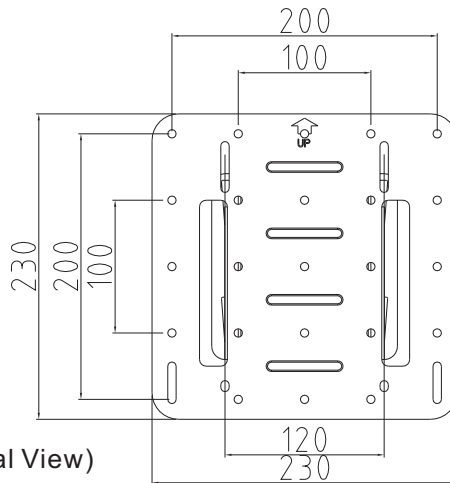


(Lateral View)



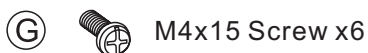
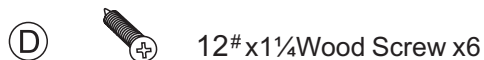
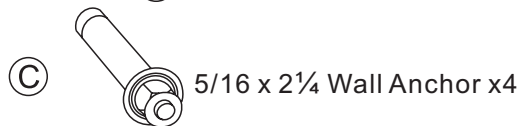
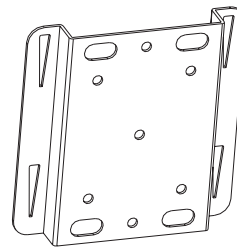
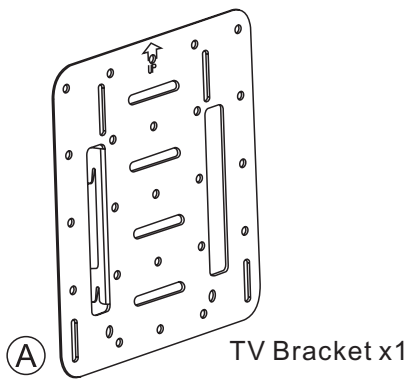
UNIT : mm

(Back View)



2 Parts Name

- Please check out all parts.



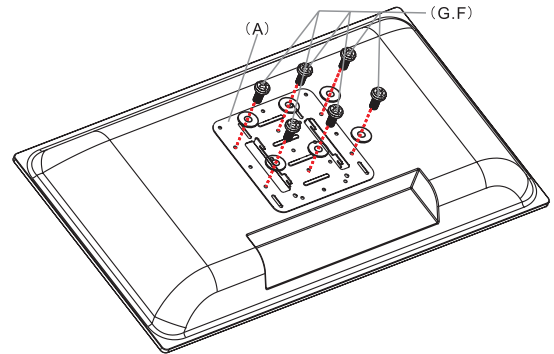
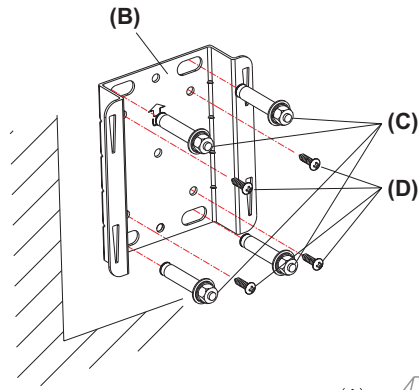
Registered design and patent pending. All rights reserved

Installation

HT-A04

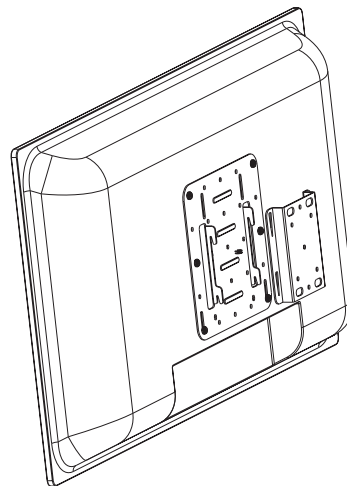
1 Step 1

- The wall must be at least 5cm thick.
- For a wooden wall, please choose wood screws 6pcs 12# x1½ mm(D)
- For a concrete wall, please choose wall anchors 4pcs 5/16X2¼mm(C)



2 Step 2

- At the time of installation, make sure that 2 people hold the LCD TV.
- Make sure the LCD TV is turn off before installing.
- Use 4 pcs M4x12(G)screws and ϕ 4x6 sleeves to assemble the TV bracket to the LCD TV.

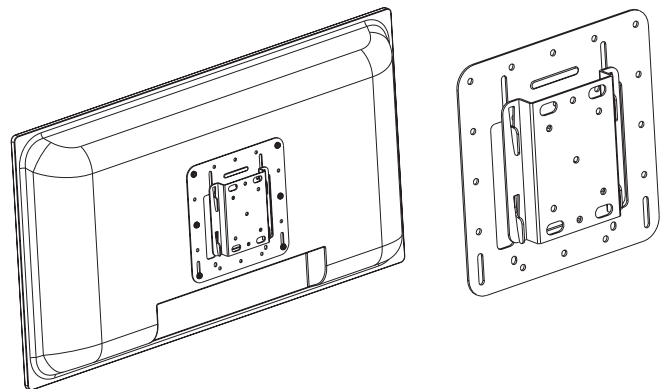


3 Step 3

- Make sure the two brackets are locked and secure.

4 Step 4

- Tighten the fixed screw to lock the TV in place.



Registered design and patent pending. All rights reserved