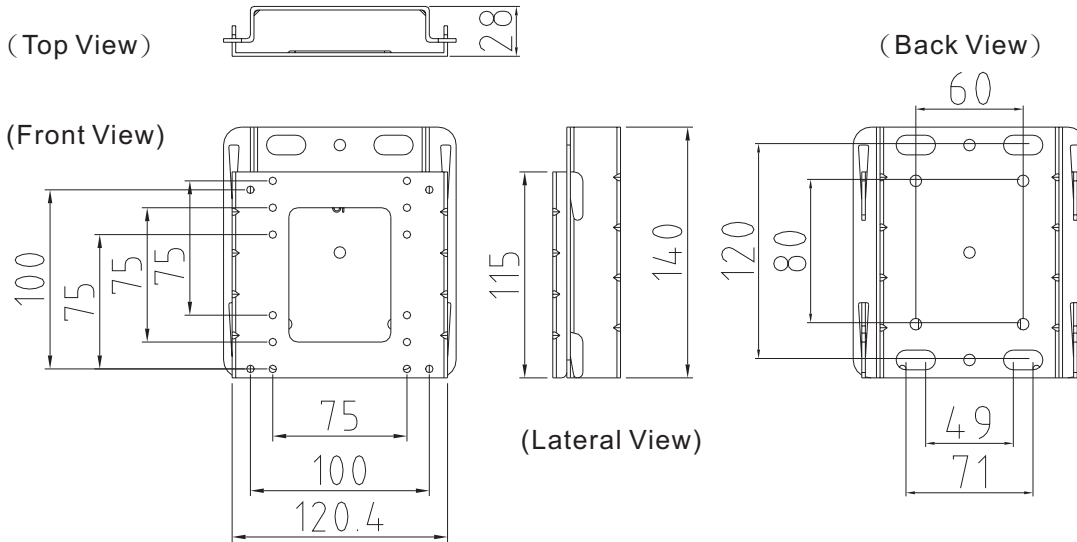


# Specification HT-A03

## 1 Product Spec

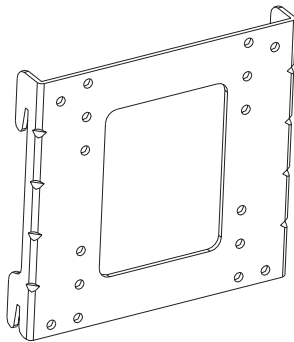
- Max. Load:40kg
- Net Weight:0.8kg

UNIT : mm

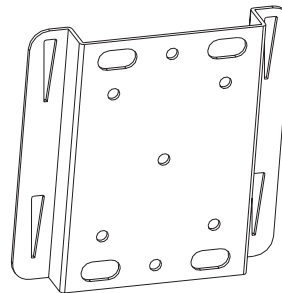


## 2 Parts Name

- Please check out all parts.





(A) TV Bracket x1



(B) Wall Bracket x1

(E)  M4x15 Screw x4

(C)  5/16 x 2 1/4 Wall Anchor x4

(D)  12#x1 1/2 Wood Screw x4



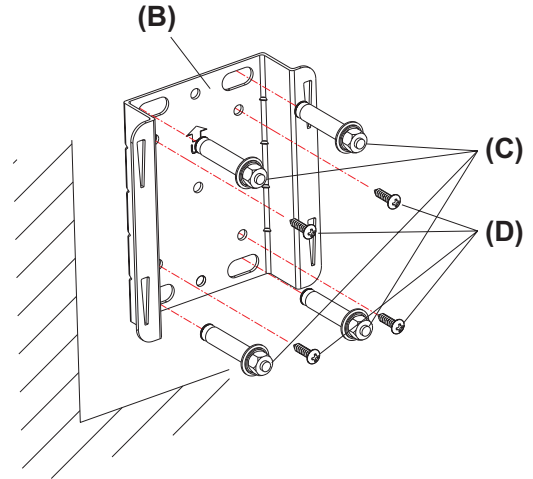
Registered design and patent pending. All rights reserved

# Installation

## HT-A03

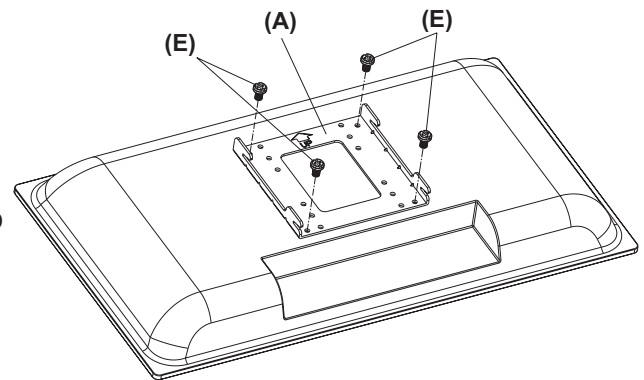
### 1 Step 1

- The wall must be at least 5cm thick.
- For a wooden wall, please choose wood screws 6pcs 12#x1 $\frac{1}{4}$  mm(D)
- For a concrete wall, please choose wall anchors 4pcs 5/16X2 $\frac{1}{4}$  mm(C)



### 2 Step 2

- At the time of installation, make sure that 2 people hold the LCD TV.
- Make sure the LCD TV is turn off before installing.
- Use 4 pcs M4x12(E) screws and  $\phi$ 4x6 sleeves to assemble the TV bracket to the LCD TV.

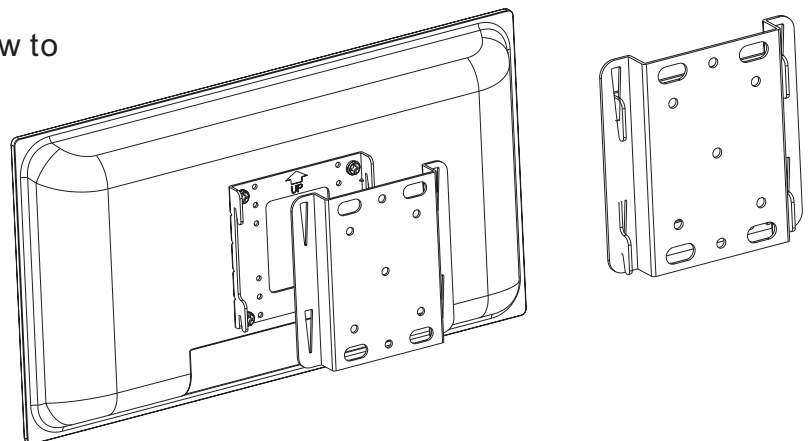


### 3 Step 3

- Make sure the two brackets are locked and secure.

### 4 Step 4

- Tighten the fixed screw to lock the TV in place.



Registered design and patent pending. All rights reserved