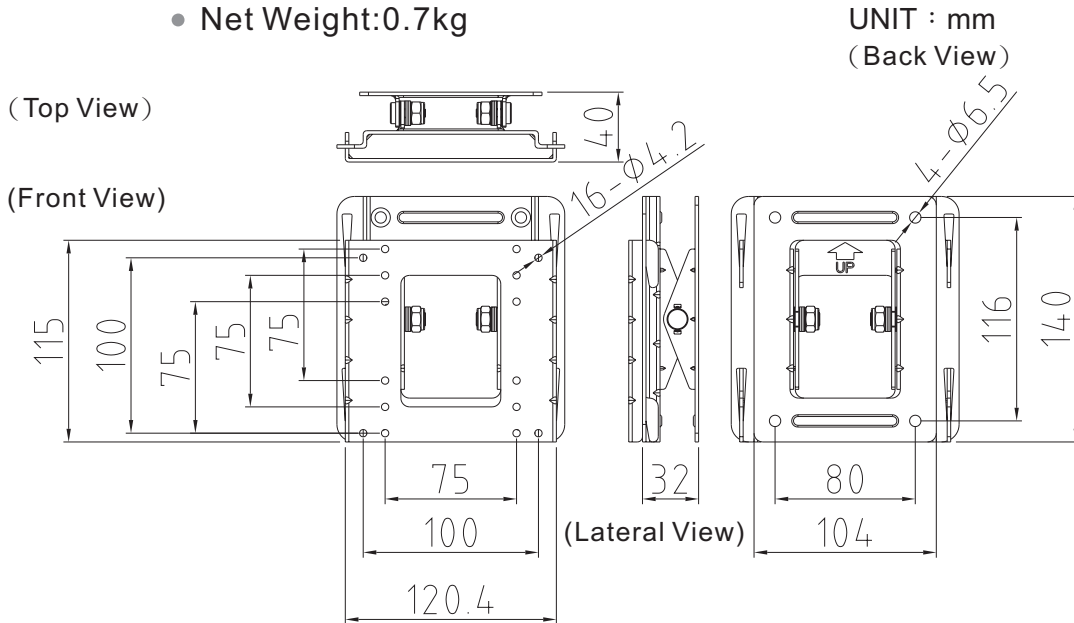


Specification

HT-A01

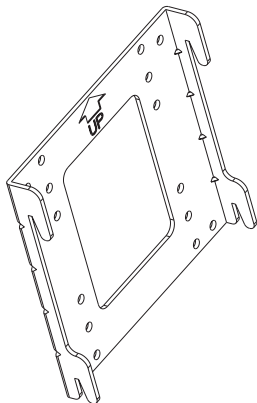
1 Product Spec

- Max. Load:12kg
- Net Weight:0.7kg

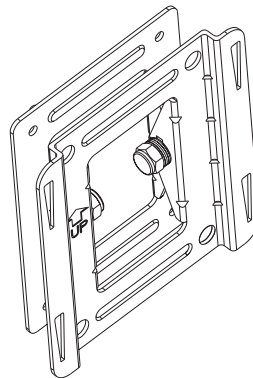


2 Parts Name

- Please check out all parts.



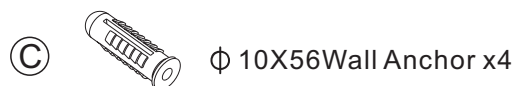
(A) TV Bracket x1



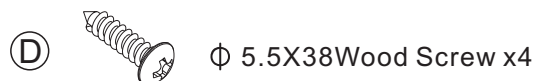
(B) Wall Bracket x1



(E) M4x15 Screw x4



(C) φ 10X56 Wall Anchor x4



(D) φ 5.5X38 Wood Screw x4



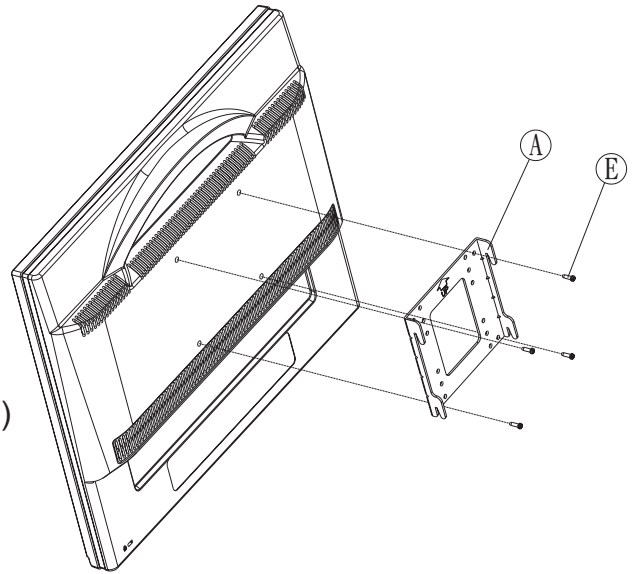
Registered design and patent pending. All rights reserved

Installation

HT-A01

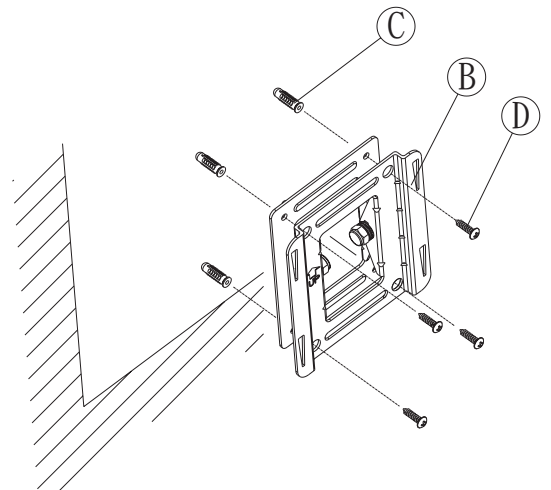
1 Step 1

- The wall must be at least 5cm thick.
- For a wooden wall, please choose wood screws 6pcs 12#x1½ mm(D)
- For a concrete wall, please choose wall anchors 4pcs 10X56Wall Anchor (C)



2 Step 2

- At the time of installation, make sure that 2 people hold the LCD TV.
- Make sure the LCD TV is turn off before installing.
- Use 4 pcs M4x12(E)screws assemble the TV bracket to the LCD TV.



3 Step 3

- Make sure the two brackets are locked and secure.

4 Step 4

- Tighten the fixed screw to lock the TV in place.

